

+12 V from NMEA2000 Connector

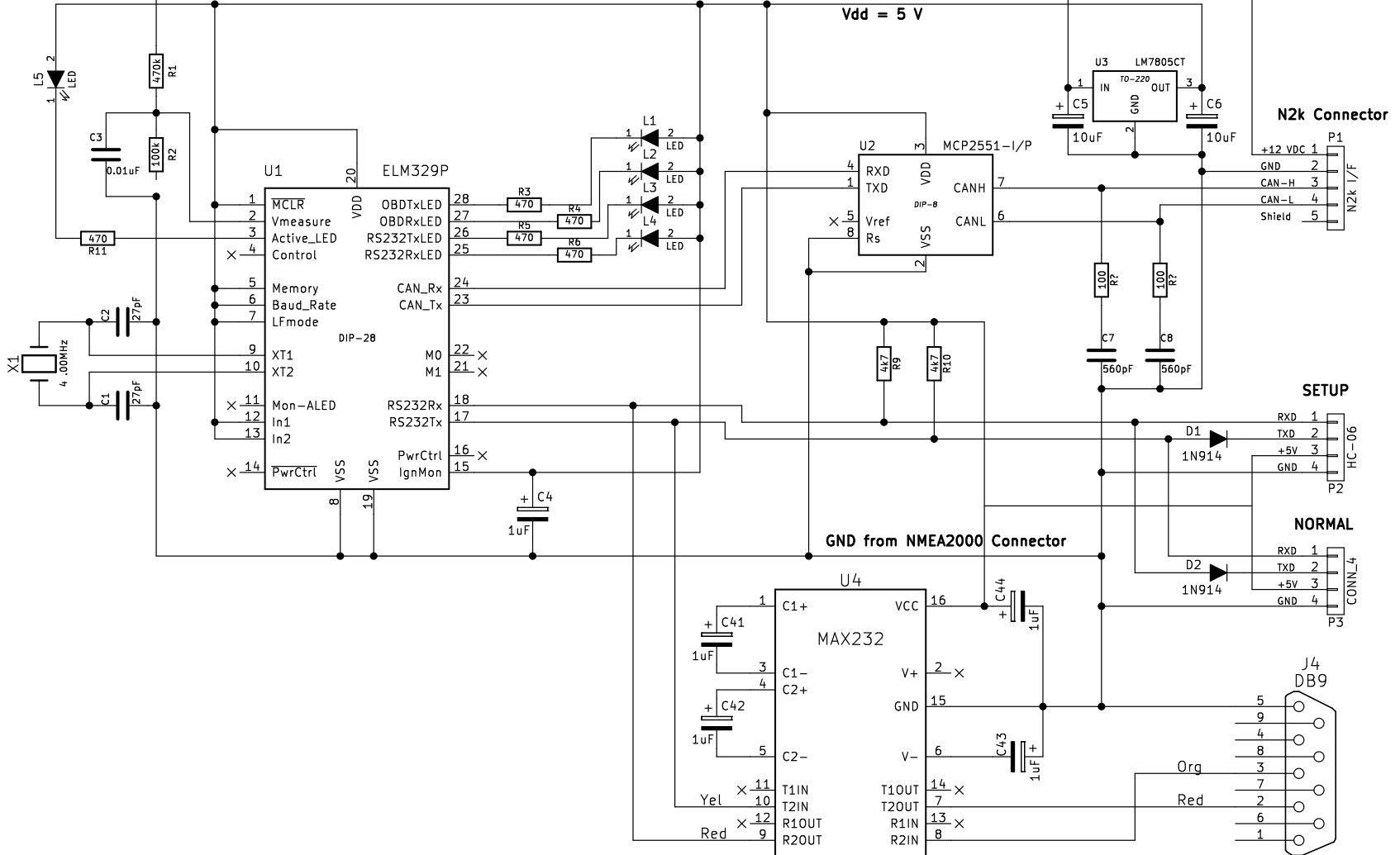
Vdd = 5 V

N2k Connector

SETUP

NORMAL

GND from NMEA2000 Connector



Sheet: /
File: CANbus_v2.sch

Title: CZone NMEA2000 Interface

Size: User Date: 5 jan 2016
KiCad E.D.A. eeschema 4.0.1-stable

Rev: 1
Id: 1/1